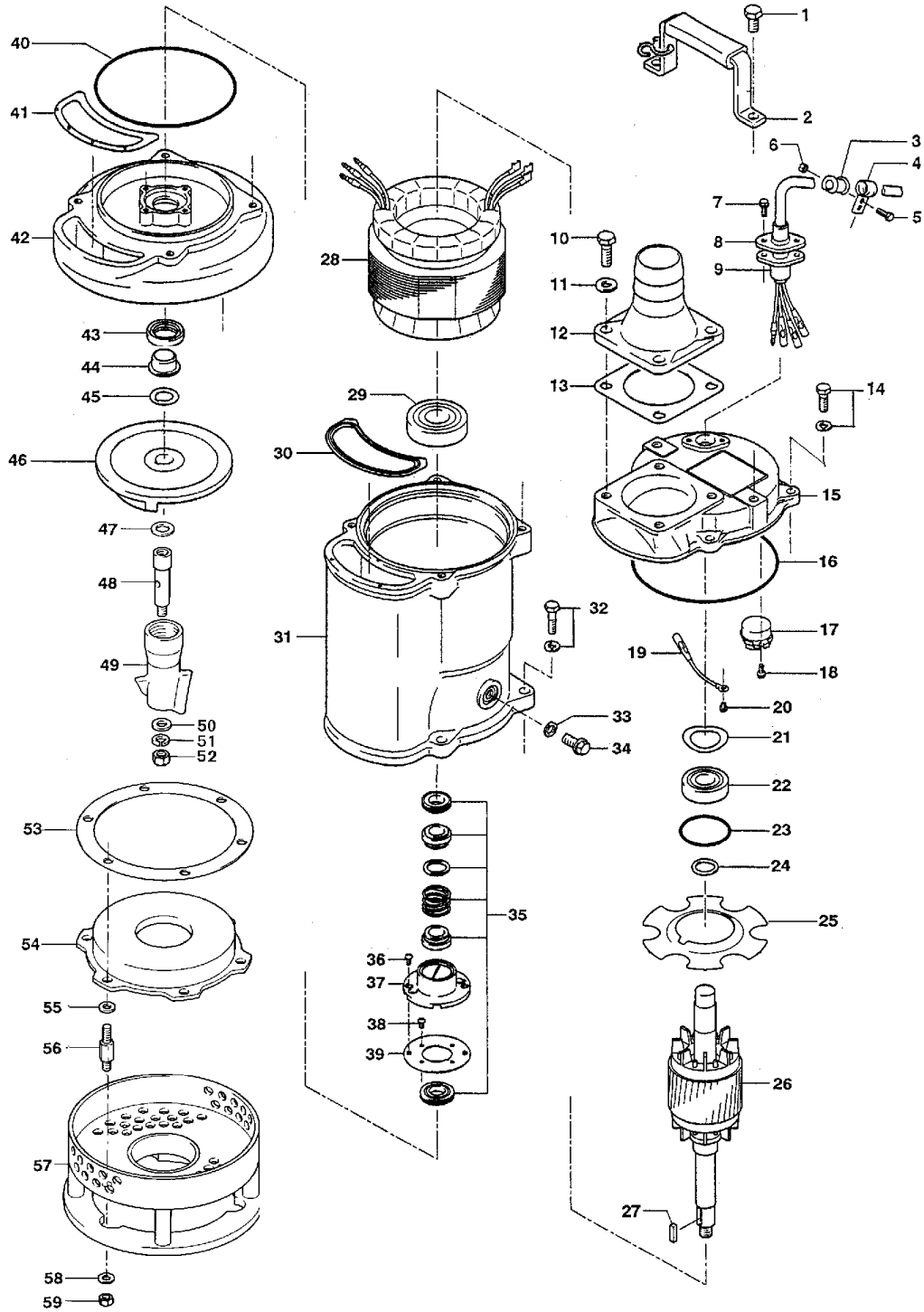


PARTS LIST		AGITATOR PUMPS				3/16/2026
ITEM	PART No.	DESCRIPTION	QTY	SIZE	MATERIAL	NOTES
1	140-074-15	Hex.Bolt	2	M10x20	SUS304	
2	068-000-63	Handle	1	KT Z21.5/32.2(w/Shackle,H=150)	SUS304+NBR	
3	010-126-17	Cable Clip Rubber 208/230V-60Hz(USA)	1	HS2	NBR	
3	010-126-17	Cable Clip Rubber 460V-60Hz(USA)	1	HS2	NBR	
3	010-126-17	Cable Clip Rubber 575V-60Hz(USA)	1	HS2	NBR	
4	010-105-10	Cable Clip	1	SB	SPC	
5	140-018-37	Hex.Bolt	1	M5x15	SWRM	
6	141-003-58	Hex.Nut	1	M5	SWRM	
7	140-427-17	Hex.Bolt (w/Plain Washer)	2	M5x15	SUS304	
8	003-190-10	Gland	1		SUS316	
9	001-012-55	Cabletyre Cable Set (50') (USA)	1	VCT4Cx1.25mm2	LBT	
10	140-000-01	Hex.Bolt	4	M10x30(B=14)	SUS304	
11	142-128-24	Plain Washer	4	M10	SPC	
12	032-158-16	Hose Coupling (for USA)	1	NPT-2(KT-15R)	FC	
13	121-181-17	Packing	1	KT-15	NBR	*
14	140-488-16	Hex.Bolt (w/Spring Washer)	4	M8x30	SUS304	
15	050-420-18	Motor Bracket	1		FC150	
16	122-140-17	O-Ring	1	G-145(144.4xd3.1)	NBR	*
17	053-358-13	Motor Protector 208/230V-60Hz (USA)	1	KA313-GDZL103	(T.C)	
17	053-421-18	Motor Protector 460V-60Hz (USA)	1	KA313-GQXL102	(T.C)	
17	053-002-55	Motor Protector 575V-60Hz (USA)	1	KA311-DPBN55A	(T.C)	
18	143-126-25	Pan Screw (w/Spring Washer/Plain Washer)	2	M4x12	SWRM	
19	009-292-11	Earth Terminal	1Set	1.25mm2x140L		
20	143-085-21	Pan Screw (w/Spring Washer)	1	M4x6	SWRM	
21	142-389-12	Wave Washer	1	6204	SK5	
22	052-001-49	Bearing	1	6204ZZC3		replaces OLD item# 052-103-18
22	052-001-49	Bearing	1	6204ZZC3		
23	122-293-16	O-Ring	1	47xd3.1	NBR	*
24	061-000-22	Slinger	1	d20xd27x2t	SPCC	
25	058-000-13	Lead Wire Protection Plate	1	d61xd132x2t	Bakelite	
26	055-000-76	Rotor	1Set			
27	147-137-18	Impeller Key	1	5x5x20L	SUS420	
28	056-001-07	Stator 208/230V-60Hz(USA)	1Set			
28	056-001-08	Stator 460V-60Hz(USA)	1Set			
28	056-001-09	Stator 575V-60Hz(USA)	1Set			
	009-178-10	Sure Plug(Male)	3	LGM-51T-5		
	009-004-01	Sure Plug Sleeve (Male)	3	ULDJ211-3.5	PVC	
29	052-108-13	Bearing	1	6305ZZC3		
30	121-507-13	Packing (Water Way, Upp.)	1	KTZ21.5/32.2	NBR	*

PARTS LIST		AGITATOR PUMPS				3/16/2026
ITEM	PART No.	DESCRIPTION	QTY	SIZE	MATERIAL	NOTES
31	064-000-10	Motor Frame	1		FC150	
32	140-488-16	Hex.Bolt (w/Spring Washer)	4	M8x30	SUS304	
33	121-246-11	Packing	1	d10.3xd16x2t	Polyethylene	*
34	035-125-13	Oil Plug	1	M10x20(B=13)	SUS304	
35	025-243-17	Mechanical Seal	1	H-20T	SIC	
36	143-070-23	Pan Screw	2	M5x6	SWRM	
37	030-144-13	Oil Lifter	1	H-20(A)(T)	Resin	
38	143-070-10	Pan Screw	4	M5x6	SWRM	
39	030-154-16	Seal Stopper	1	H-20T	SPCC	
40	122-139-13	O-Ring	1	G-140(139.4xd3.1)	NBR	*
41	121-501-17	Packing (Water Way, Low.)	1	KTZ21.5/22.2(0.8t)	NBR	*
42	020-001-01	Pump Casing	1	KTZ21.5/32.2	FC200	
43	026-105-19	Oil Seal	1	TC-25388	NBR	
44	071-314-13	Shaft Sleeve	1	d20xd25x16l	SUS304	
45	040-104-25	Impeller Shim		d18.2xd29x0.3t	SUS304	
46	021-555-26	Impeller (60Hz)	1	KTD22.2-62	HiCrFC	
47	142-129-12	Plain Washer	1	M12	SUS304	
48	024-124-18	Connecting Rod	1	KTR-22S	S45C	
49	024-000-04	Agitator	1	KTD22.0	FCD700	
50	142-128-11	Plain Washer	1	M10	SUS304	
51	142-164-19	Spring Washer	1	M10	SUS304	
52	141-031-13	Hex.Cap Nut	1	M10	SUS304	
53	120-110-12	Packing (S.Cover)		d150xd186x0.3t	Polyethylene	
54	022-000-52	Suction Cover	1	KTZ21.5/22.2	FCD500	
55	142-127-23	Plain Washer	3	M8	SPC	
56	144-000-63	Stud Bolt	3	M8-22xM8-17x59L	SUS410	
57	023-218-17	Strainer Stand	1Set	KTR-22S	SS	
58	142-163-18	Spring Washer	3	M8	SUS304	
59	141-005-18	Hex.Nut	3	M8	SUS304	
	173-513-13	Packing O-Ring Set	1Set	(Marked by *)		
13	121-181-17	Packing (Hose Coupling)	1	KT-15	NBR	*
16	122-140-17	O-Ring (M.Bracket/M.Frame)	1	G-145(144.4xd3.1)	NBR	*
23	122-293-16	O-Ring (Upp. Bearing)	1	47xd3.1	NBR	*
30	121-507-13	Packing (Water Way, Upp.)	1	KTZ21.5/32.2	NBR	*
33	121-246-11	Packing (Oil Plug)	1	d10.3xd16x2t	Polyethylene	*
40	122-139-13	O-Ring (M.Frame/P.Casing)	1	G-140(139.4xd3.1)	NBR	*
41	121-501-17	Packing (Water Way, Low.)	1	KTZ21.5/22.2(0.8t)	NBR	*
		Lubricant		Turbine Oil VG32 740ml		

PARTS LIST		AGITATOR PUMPS		3/16/2026		
ITEM	PART No.	DESCRIPTION	QTY	SIZE	MATERIAL	NOTES

KTD22. 2-52/62



* Indicates items included in set